



PAM35 - Technical Data

DESCRIPTION

The P.A.M. is an ergonomic positioning device that makes effortless manipulation of heavy hand held tools. It also significantly decreases the vibration generated by many tools. The P.A.M. is composed of the four following sub-groups :

- ◆ The hydraulic booms allow the positioning of the tool handling turret. The use of hydraulics and an efficient rotating base locking mechanism, provide the stiffness required to handle all the incurring loads along with a very stable work position. Should there be a hydraulic hose failure, both cylinders are equipped with safety valves preventing the collapse of the booms in order for them to maintain their positions.
- ◆ Many type of tools (30kg - 40 Lbs or less) can be mounted on the turret. (Pneumatic hammer, rock drill hydro-demolition tool, etc.) It also allows 3 degrees of freedom and incorporates a 200mm (8 inches) forward moving carrier that greatly reduces the vibrations generated by the tool.
- ◆ Compressed air is used to generate both the electric & hydraulic energy required to use the P.A.M. in a self-contained & environmental friendly fashion. The power unit is equipped with complete compressed air processing (filtering & lubrication).
- ◆ On-site manual displacements are performed with the under buggy. This buggy is also equipped with 3 stabilizers for optimal working stability. To the 4 standard wheel casters, 2 optional Rough Terrain Wheels (RTW) can easily be added or removed to fit through narrow paths.

CHARACTERISTICS

Weight: 525 kg - 1150 Lbs (Without Tool)

Dimensions & Surface Coverage: Pages 2, 3 & 4

Operating temperature: -15 to 40 °C - (5 to 104°F)

Pneumatic oil mixed with antifreeze (Killfrost) may be required based on operating temperature

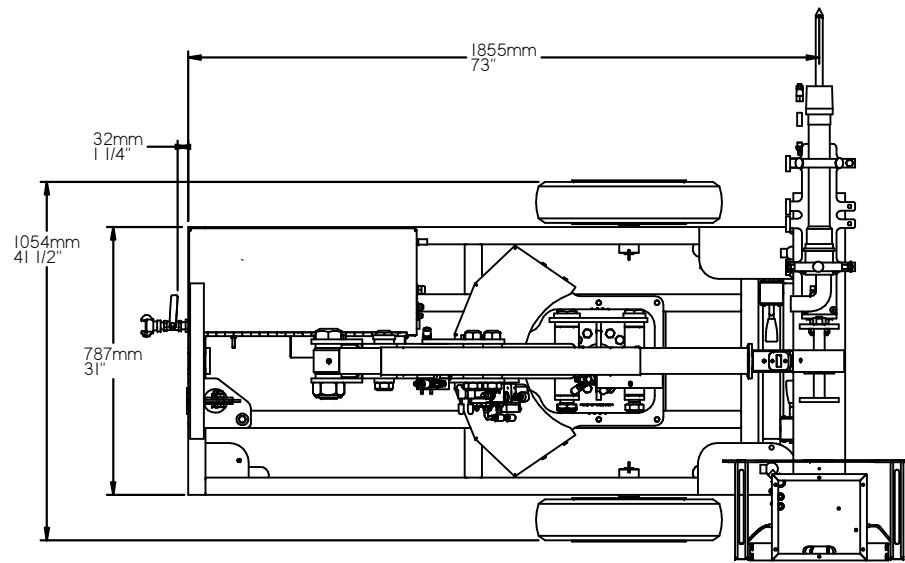
Power Unit air consumption: 700 LPM @700 kPa - (25 CFM @ 100 PSI)

Electric System: Tension : 12VDC
Power : 180 Watt
Control : IP65

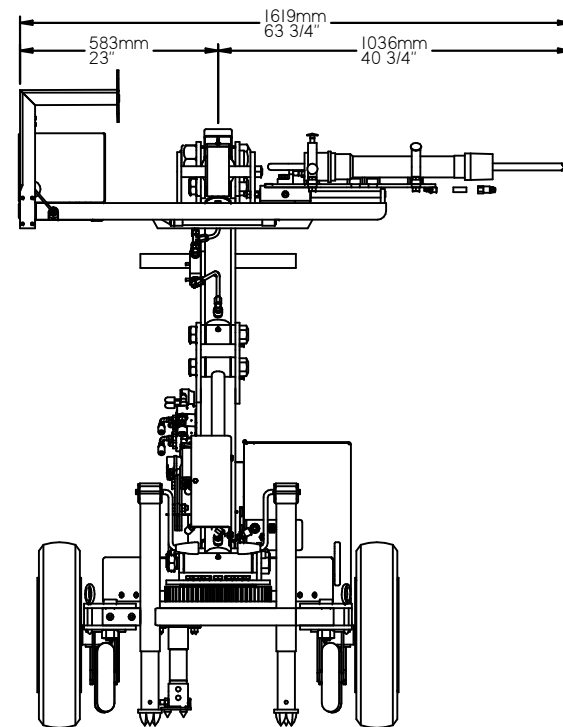
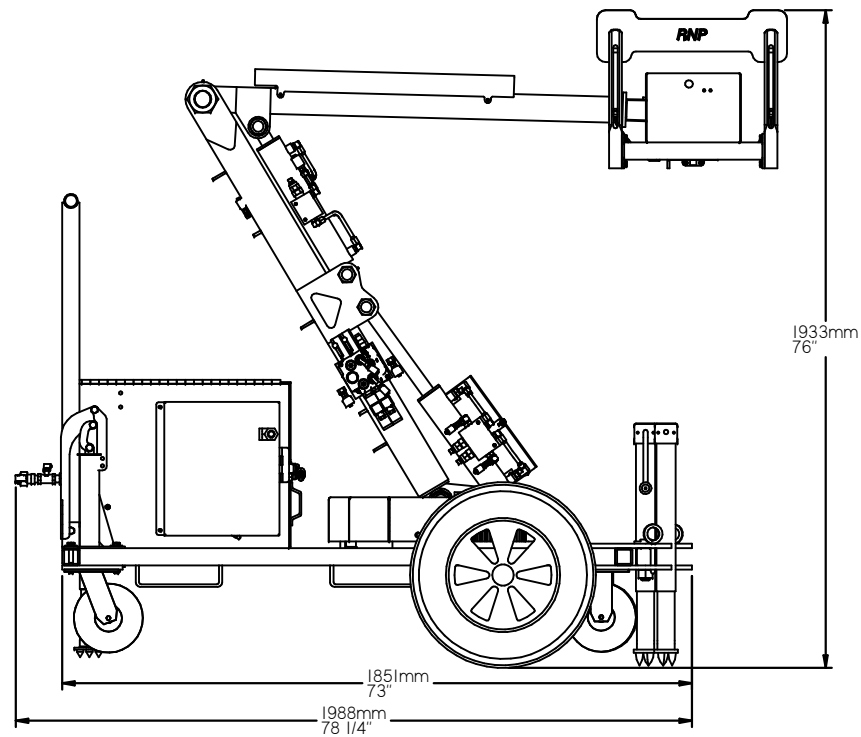
Hydraulic System: Flow 2.8 LPM - (0.74 GPM)
(adjustable)
Pressure 90 Bar - (1300 PSI)
Oil grade 32
Filtration 10 micron

Pneumatic System: Max pressure: 800 kPa - (120 PSI)
Filtration: 5 micron
Automatic oiler
Adjustable activation delay
Applied pressure on work surface
(by tool) 0 to 785 N (175 Lbf)
Adjustable drawback speed

Mechanical Syst.: Boom Rotation: 84°
4° increment
Bushing supports
Dust suppressing water spray
(30 LPH - 8 GPH)



PAM Ove 35 DIMENSIONS IN A CLOSED & CENTERED POSITION



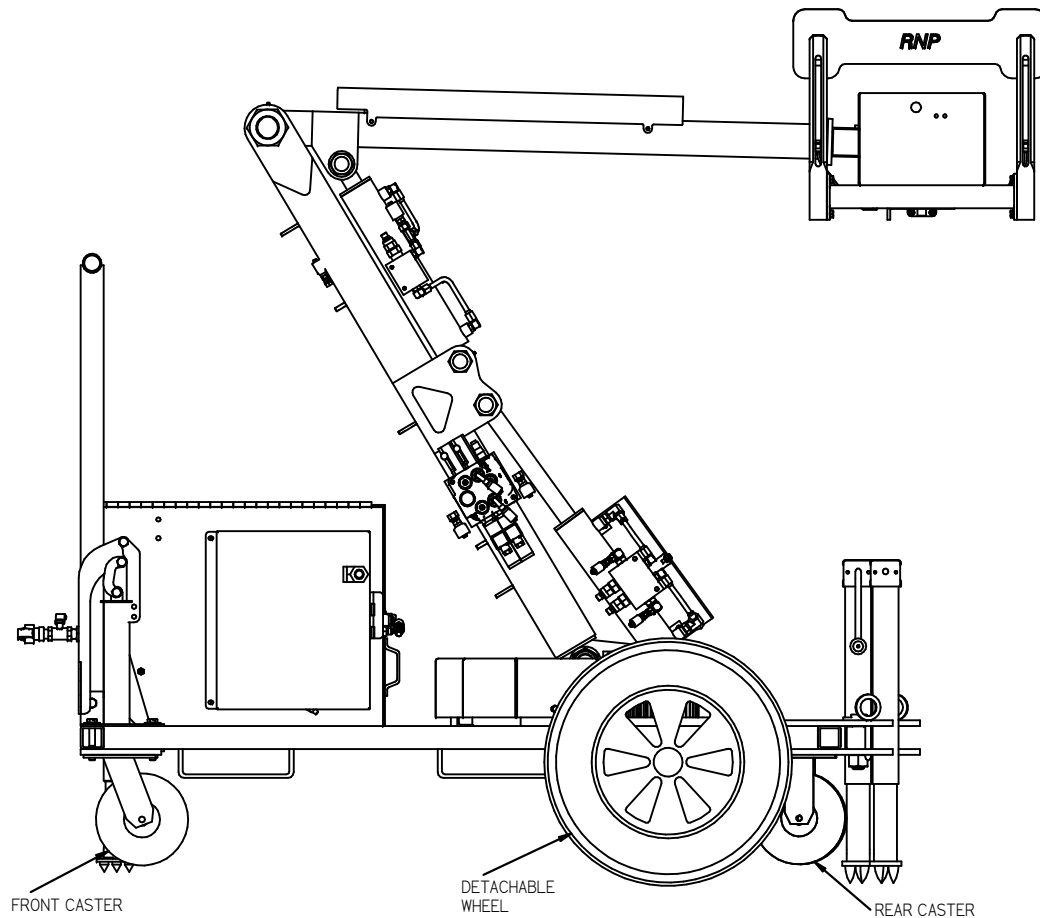
CE DOCUMENT EST LA PROPRIÉTÉ DE RNP INDUSTRIES INC. TOUTE REPRODUCTION TOTALE OU PARTIELLE PAR QUELCONQUES MOYENS EST INTERDITE SANS LE CONSENTEMENT ÉCRIS DE RNP INDUSTRIES INC.
THIS DOCUMENT IS THE PROPERTY OF RNP INDUSTRIES INC. ANY REPRODUCTION IN WHOLE OR IN PART BY ALL MEANS IS STRICTLY PROHIBITED WITHOUT THE WRITTEN AUTHORIZATION BY RNP INDUSTRIES INC.

RNP Industries Inc.
TEL: 450-437-5355 112 PREVOST
FAX: 450-437-2651 BOISBRIAND, QUEBEC
J7G 2S2
www.rnpind.com

PAM - GENERAL ASSEMBLY

REV: 00

P.A.M. (PI098) WEIGHT DISTRIBUTION IN A CLOSED & CENTERED POSITION



WITH DETACHABLE WHEEL : FRONT CASTERS 300 LBS (136 Kg) --- 150 LBS (68 Kg) / CASTER
 TIRES 900 LBS (408 Kg) --- 450 LBS (204 Kg) / TIRE

WITHOUT DETACHABLE WHEEL : REAR CASTERS 690 LBS (313 Kg) --- 345 LBS (156 Kg) / CASTER

RNP Industries Inc.

TEL: 450-437-5355
 FAX: 450-437-2651

112 PREVOST
 BOISBRIAND, QUEBEC
 J7G 2S2
 www.rnpind.com

CE DOCUMENT EST LA PROPRIÉTÉ DE RNP INDUSTRIES INC. TOUTE REPRODUCTION TOTALE OU PARTIELLE PAR QUELCONQUES MOYENS EST INTERDITE SANS LE
 CONSENTEMENT ÉCRIS DE RNP INDUSTRIES INC.
 THIS DOCUMENT IS THE PROPERTY OF RNP INDUSTRIES INC. ANY REPRODUCTION IN WHOLE OR IN PART BY ALL MEANS IS STRICTLY PROHIBITED WITHOUT THE WRITTEN
 AUTHORIZATION BY RNP INDUSTRIES INC.

2010 PAM P1098 WHEEL LOAD METRIQUE.dft / 2014-03-31

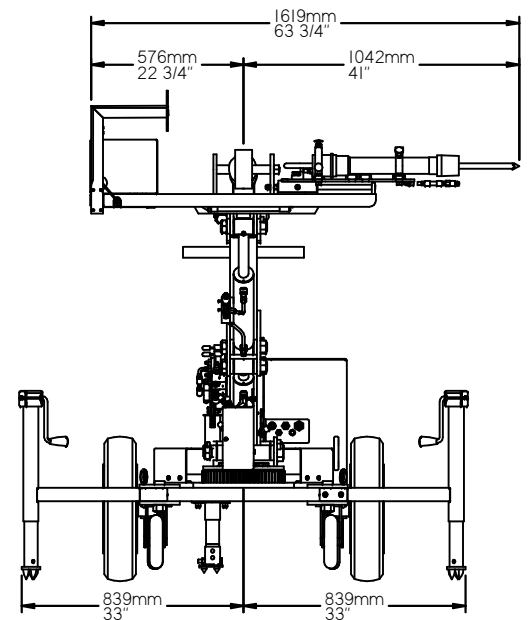
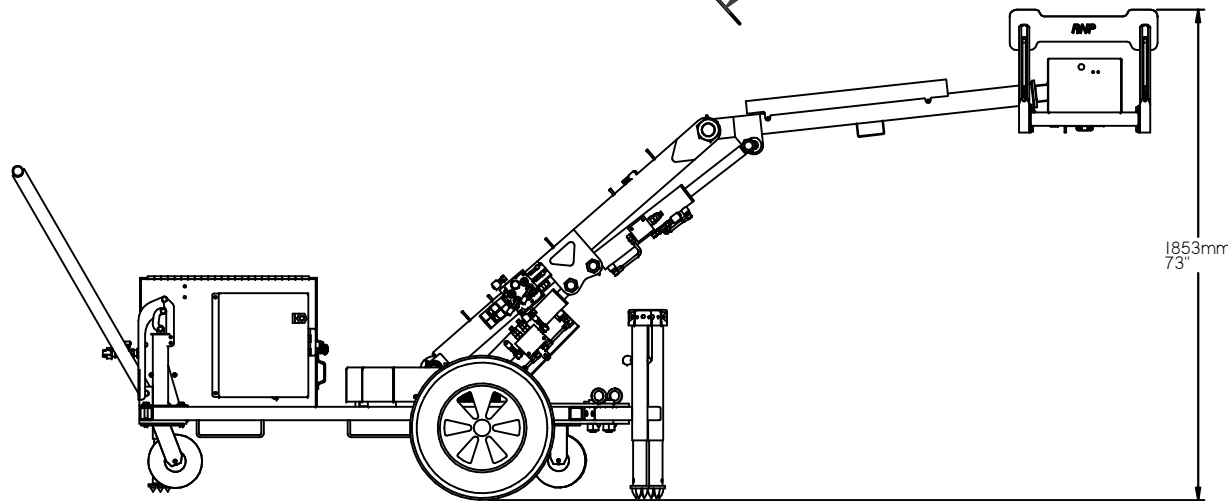
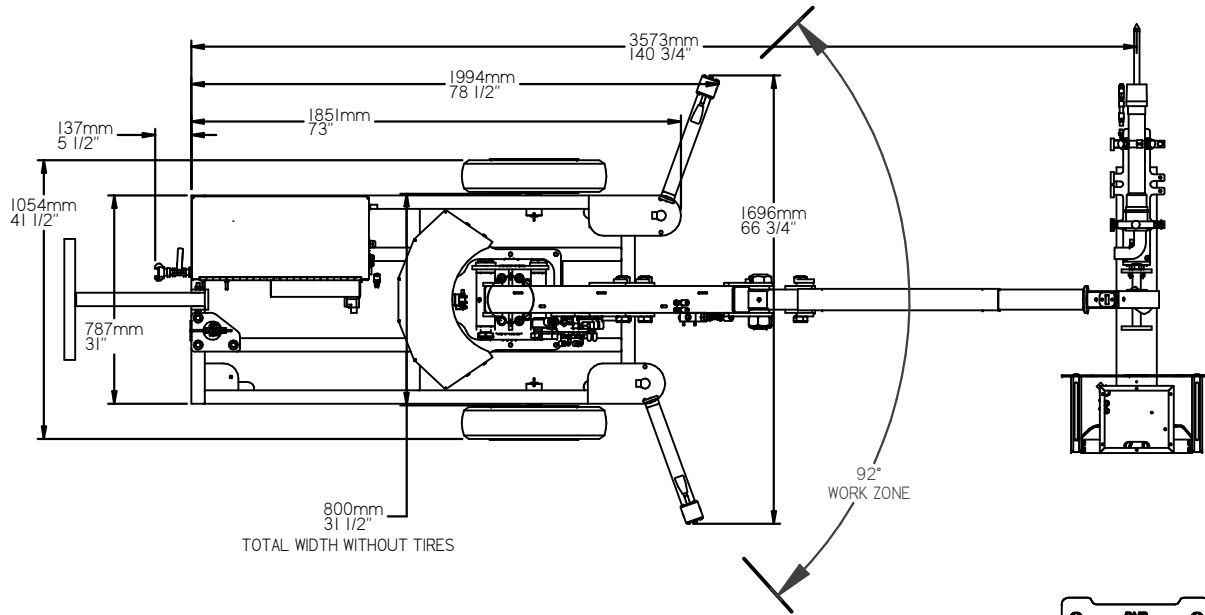
PAM - GENERAL ASSEMBLY

REV:
 00

*DIMENSIONS OF PAM 0ve 35
FULLY DEPLOYED*

MASS :
545 Kg (1200 LBS)

NOTE :
THE MAXIMUM APPLIED WEIGHT TO THE
STABILIZER ARMS RANGE FROM 205 TO
363 Kg (450 TO 800 LBS) DEPENDING ON
THE WORK ZONE ANGLE
(With a vertically applied dynamic load)



CE DOCUMENT EST LA PROPRIÉTÉ DE RNP INDUSTRIES INC. TOUTE REPRODUCTION TOTALE OU PARTIELLE PAR QUELCONQUES MOYENS EST INTERDITE SANS LE
CONSENTEMENT ÉCRIS DE RNP INDUSTRIES INC.
THIS DOCUMENT IS THE PROPERTY OF RNP INDUSTRIES INC. ANY REPRODUCTION IN WHOLE OR IN PART BY ALL MEANS IS STRICTLY PROHIBITED WITHOUT THE WRITTEN
AUTHORIZATION BY RNP INDUSTRIES INC.

2014 PAM35 P1098 EXT DIM_LOAD metrique OPEN.dft / 2014-04-04

RNP Industries Inc.

TEL: 450-437-5355

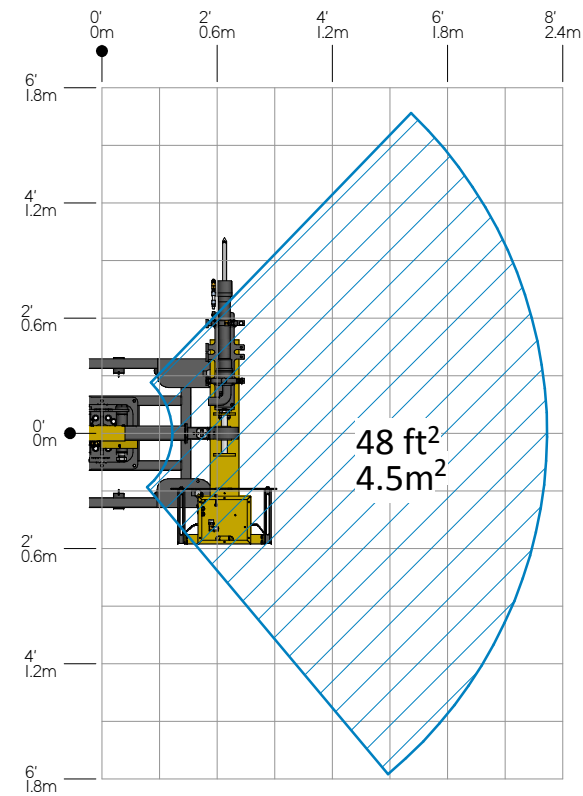
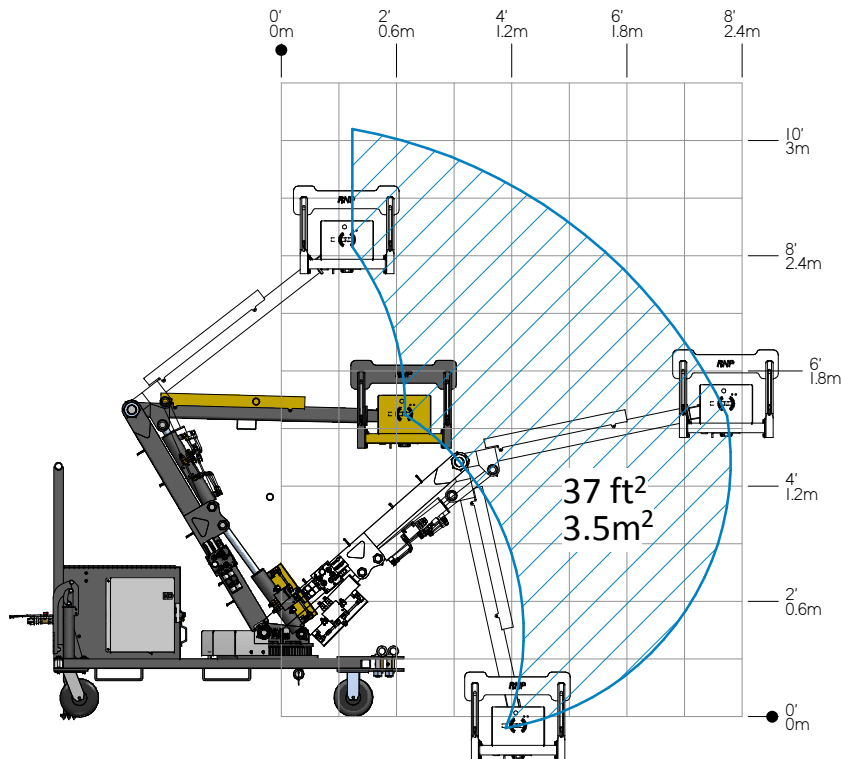
FAX: 450-437-2651

112 PREVOST
BOISBRIAND, QUEBEC
J7G 2S2
www.rnpind.com

PAM - GENERAL ASSEMBLY

REV:
00

P.A.M. Surface Coverage



NOTES

ALWAYS OPERATE THE P.A.M. IN A NATURAL STANDING POSITION

THE ILLUSTRATED SURFACE COVERAGE IS DEFINED BY THE TURRET'S BALL JOINT POSITION. THE SURFACE COVERAGE WOULD BE LARGER BY THE ROTATION OF THE TURRET BY THIS BALL JOINT.

RNP Industries Inc.

TEL: 450-437-5355
FAX: 450-437-2651

112 PREVOST
BOISBRIAND, QUEBEC
J7G 2S2
www.rnpind.com

P.A.M. Surface Coverage

REV:
00